

www.amphibiosexcavator.com

# ULTRATREX LONG REACH ARM

UTX, YOUR TRUSTED PARTNER IN  
SHALLOW DREDGING EQUIPMENT



www.amphibiosexcavator.com.my



UTX, YOUR TRUSTED PARTNER IN  
SHALLOW DREDGING EQUIPMENT

## ULTRATREX MACHINERY SDN. BHD

TEL : +607 355 7777

FAX : +607 351 0229

E-MAIL : marketing@ultratrex.com.my

PL0 229, JALAN KENCANA MAS 2,  
KAWASAN PERINDUSTRIAN TEBRAU 3,  
81100 JOHOR BAHRU, JOHOR, MALAYSIA



## ULTRATREX MACHINERY SDN. BHD

TEL : +607 355 7777

FAX : +607 351 0229

E-MAIL : marketing@ultratrex.com.my



Ultratrex Machinery Sdn Bhd. under branding 'UTX' is a leading producer of high quality and versatile range of long reach arms for various brand of excavator. We are specialized in custom made and designing high quality long reach arms for various brands and models of excavators. UTX has been perpetual in the long reach arm business due to the organisation's reliability and capacity to supply high quality and reasonably priced products. We can guarantee that high workmanship being maintained while producing the long reach arms. Proud to say that, UTX is the first amphibious and long reach arm manufacturing company in the region that had successfully obtained ISO 9001 certification in 2011. Conformance on quality is our priority thus, UTX's long reach arms will be bearing CE logo as we had successfully been certified with CE marking by authorized CE certification body. We always believe that our clients are our valuable asset so we always ensure that UTX complied with the company's quality system and customers' requirements are being met.



## DURABILITY & RELIABILITY

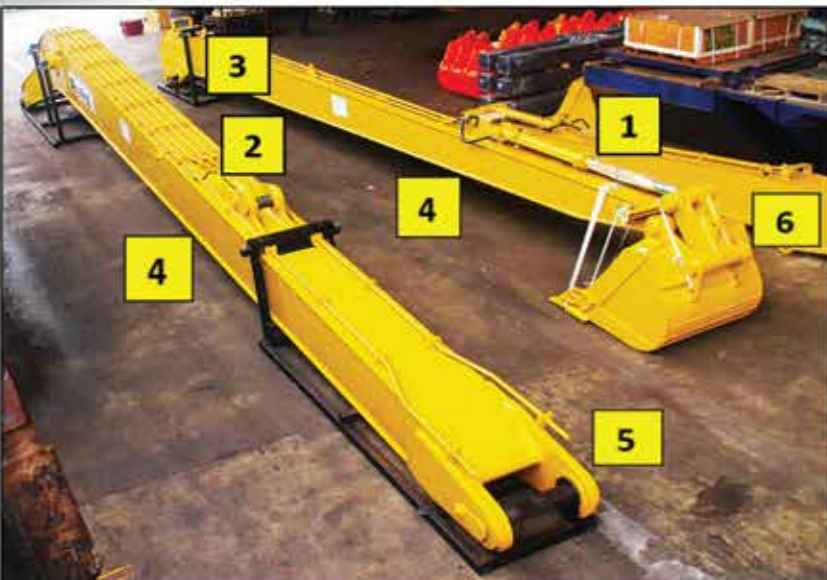


### ADVANCE PIN AND SHIM

- Noise free and enhanced anti-seizure property  
Origin : Korea
- Steel shim with hard metal disk on wet job condition  
Origin : Korea
- Chrome coated solid pin  
Origin : Korea

### ADDITIONAL COUNTERWEIGHT

For best stability when excavating, UTX offered additional counterweight to balance the excavator and long reach arm while doing digging job.



LRA IN ACTION  
FOREST CITY GOLF RESORT, MALAYSIA



**1. BUCKET CYLINDER**  
High Quality bucket cylinder  
Origin : Korea

**2. ARM CYLINDER BRACKET**  
Stress relieving shape and provide internal reinforcement

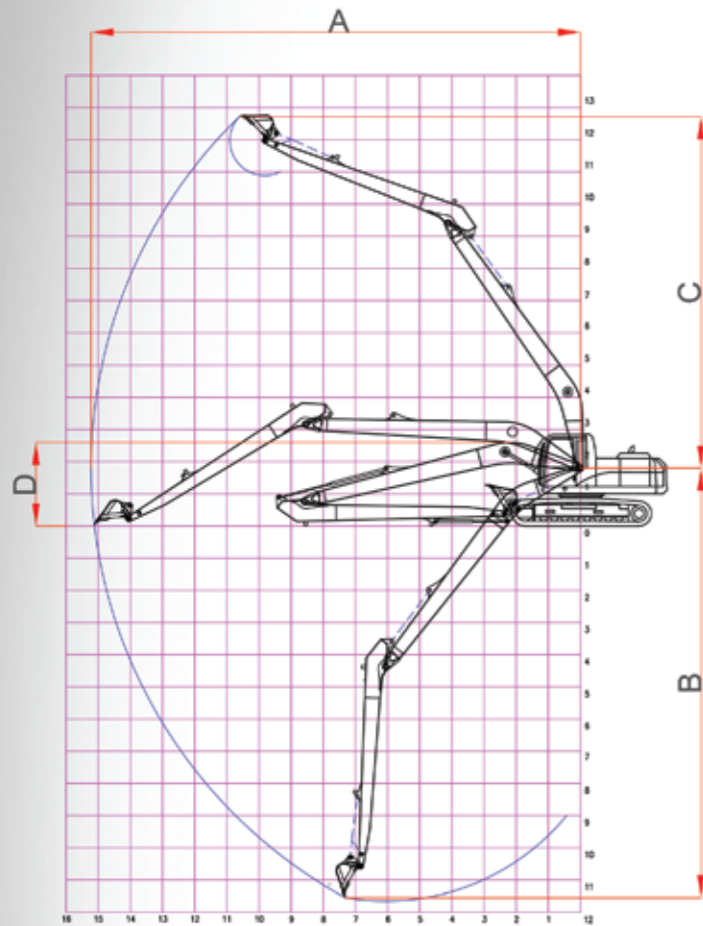
**3. BOOM AND ARM BOSS**  
Reinforce boss plate by providing internal reinforcement

**4. RUGGED ARM AND BOOM**  
Selection of high tensile steel plates from well known steel producer

**5. BOOM END BRACKET**  
Increase robustness by 10%

**6. LINKAGE**  
Reinforce H-Link

## OPERATING RANGES



### Each long reach arm come with following item

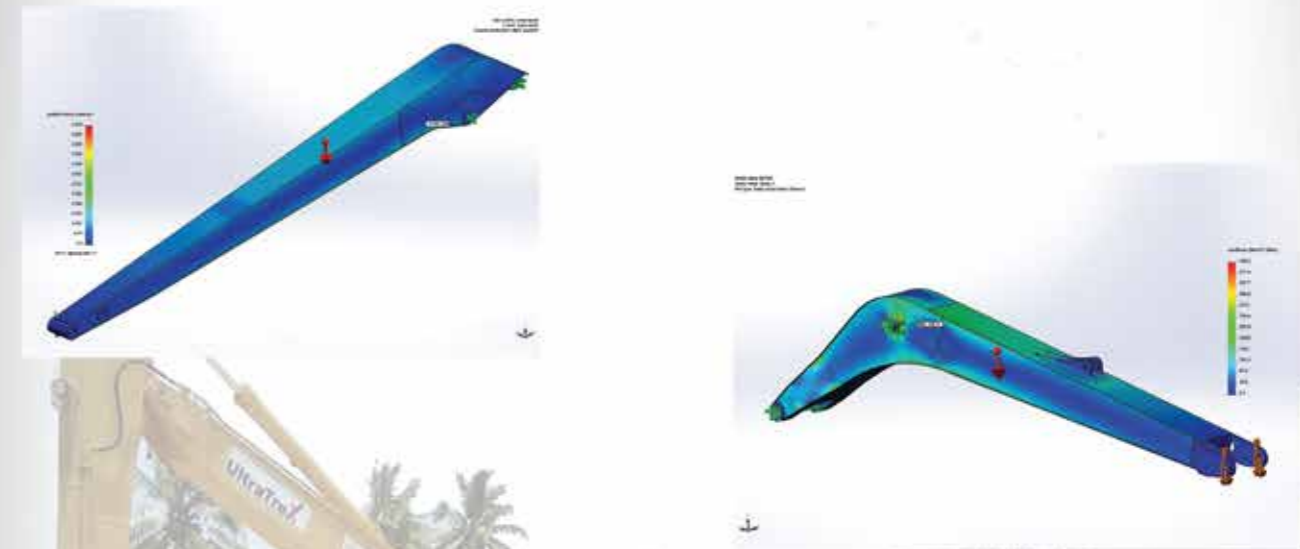
- 1) Boom X 1 unit.
- 2) Arm X 1 unit.
- 3) High quality hydraulic bucket cylinder X 1 unit.
- 4) Hydraulic tubing with clamp X 1 set.
- 5) Hydraulic pressure hose X 1 set
- 6) Bucket linkage c/w 2 pins X 1 set.
- 7) Bucket pin X 2 pcs.
- 8) Arm cylinder pin X 1 pcs.
- 9) Yoke pin X 1 pcs.
- 10) EM bushings.
- 11) CE Marking certification on the LRA.
- 11) GP bucket c/w teeth X 1 unit
- 12) Seal kit, hydraulic bucket cylinder X 1 set.

Excavator Operating Weight	Length		A Max Reach		B Max Reach		C Max Reach		D Max Reach		Bucket Capacity	
	m	ft	m	ft	m	ft	m	ft	m	ft	m <sup>3</sup>	Yard <sup>3</sup>
7 - 8 ton	9.00	30'	9.00	30' 0"	4.65	15' 3"	8.60	28' 2"	2.20	7' 2"	0.30	0.39
11 - 14 ton	12.00	40'	11.90	39' 10"	7.90	25' 11"	12.35	40' 6"	2.30	7' 6"	0.30	0.39
15 - 17 ton	13.00	43'	13.00	43' 0"	9.10	29' 10"	11.85	38' 10"	2.45	8' 0"	0.40	0.52
18 - 22 ton	13.50	45'	13.50	45' 0"	10.10	33' 1"	13.00	42' 7"	2.65	8' 8"	0.50	0.65
23 - 26 ton	17.00	56'	17.00	56' 0"	12.80	41' 11"	14.70	48' 2"	2.80	9' 2"	0.50	0.65
27 - 32 ton	18.50	60'	18.50	60' 0"	14.00	45' 11"	15.85	52' 0"	3.05	10' 0"	0.65	0.85
33 - 38 ton	20.00	65'	20.00	65' 0"	15.30	50' 2"	17.05	55' 11"	3.40	11' 1"	0.70	0.91
40 - 45 ton	21.00	69'	21.00	69' 0"	13.95	45' 9"	15.40	50' 6"	3.70	12' 1"	0.80	1.04
46 - 55 ton	22.00	72'	22.00	72' 0"	16.70	54' 9"	17.65	57' 10"	3.80	12' 5"	0.80	1.04

- All the specification are for reference only. Actual working range may vary from machine model  
 - For continous improvement purposes, specification are subjected to change without prior notice

## ANALYSIS AND SIMULATION

Simulation, stress and strength analysis being conducted on every long reach arm designs as to ensure quality and toughness of the said product. Analysis being performed by trained engineers with the application of CAD software



## NDT TEST

Good quality welding is the core strength of a long reach arm. Thus, NDT test is performed to ensure the welding meets and comply the set standard. With NDT test, we can assured that the long reach arm quality will be guaranteed



## LONG REACH ARM FEATURES



### LONG REACH ARM INCLUDES:

Boom, arm, linkage, bucket, cylinders (boom, arm and bucket), hydraulic lines, and additional counterweight (optional) for stability.

### DESIGN CONCEPT:

Designed especially for river, swampy area, lake, canal maintenance and settling pond rehabilitation in plants



### EXTENDING WORKING RANGES REMARKABLY

UTX's long reach arm works efficiently and enable productive excavation in wide working ranges by providing smooth combined operations, high stability and easy folding for transportation.



### RUGGED FRONT ATTACHMENT

The front structure is built ruggedly by using high-tensile steel plates (S355JR) which thicknesses are optimally determined by models.



### LOW FOLDING FOR EASY TRANSPORTATION

The long reach arm can be folded to low level for the convenience of transportation



**LONG REACH ARM  
READY FOR DELIVERY**

## ADDITIONAL FEATURES

### BOOM AND ARM

- Reinforced arm and boom to withstand high-impact materials.
- For arm's base better protection, reinforced plates have been added. The arm center and end sections have been strengthened

### EM BUSHING

- Pocket and dimple surface pattern : Optimized greasing and trap foreign object
- Wear resistant solid lubricant coating : Noise free and enhanced anti-seizure property
- 30% longer life time compared to normal steel bush



### ADVANCE GP BUCKET

- UTX new GP bucket designed for higher productivity
- Newly designed side cutter and abrasion resistant steel assist to increase bucket solidity

