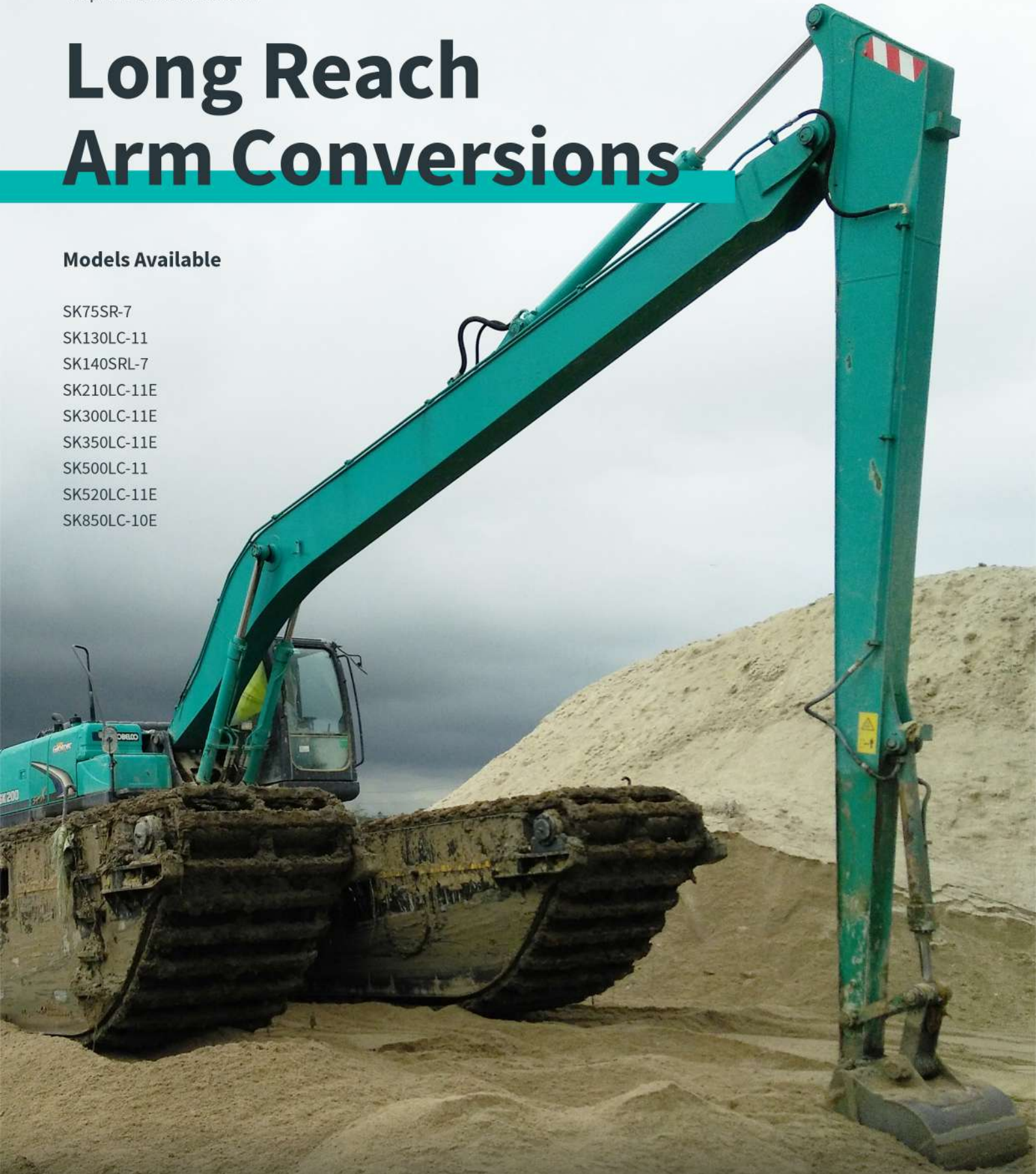


Long Reach Arm Conversions

Models Available

SK75SR-7
SK130LC-11
SK140SRL-7
SK210LC-11E
SK300LC-11E
SK350LC-11E
SK500LC-11
SK520LC-11E
SK850LC-10E



Visit our website to find out more:

amphibiosexcavator.com



Features

EM Bushing and Pin

- Korea premium components
- Self grease bushing, prevent seizure, interface lubricant at all time, lift up effect, collect foreign substance and abrasive particle. Greasing interval period up to 250 hours
- Solid pin with hard chromium electroplating, hardness above HV 650

Simulation and Analysis

- Design with the latest CAD software, intergration and simulated with Finite Element Analysis (FEA) method as to ensure the durability and eliminate potential stress and fatigue points

Boom and Arm Construction

- Side plates are beveled prior to welding to ensure strength
- Premium steel plate, Weldox 700 or equivalent and precise cutting by using CNC cutting machine
- Design with strong structure and lightened weight, along with specific ratios of boom and arm

Robotic Welding

- Welding process is completed by high tech robotic welding machine to guarantee the durability, conformance in quality and solidity

GP Bucket

- Cutting edge by using Hardox 400 plate
- Low fequency of grease for bucket linkage
- Suitable bucket capacity

Durability & Reliability



Extending Working Range Remarkably

Long reach arm works efficiently and enable productive excavation in wide working ranges by providing smooth combined operations, high stability and easy folding for transportation.



Additional Counterweight

For best stability when excavating, we offer additional counterweight to balance the excavator and long reach arm while doing digging job.



Low Folding for Easy Transportation

The long reach arm can be folded to low level for the convenience of transportation



NDT Test

Good quality welding is the core strength of a long reach arm. Thus, NDT test is performed to ensure the welding meets and comply the set standard. With NDT test, we can assure that the long reach arm quality will be guaranteed.

Long Reach Arm Package

Boom 1 unit

Arm 1 unit

High quality hydraulic bucket cylinder 1 unit

Hydraulic tubing with clamp piping 1 set

Hydraulic pressure hose 1 set

Bucket linkage comes with pins 1 set

Bucket pin 2 pieces

Arm cylinder pin 2 pieces

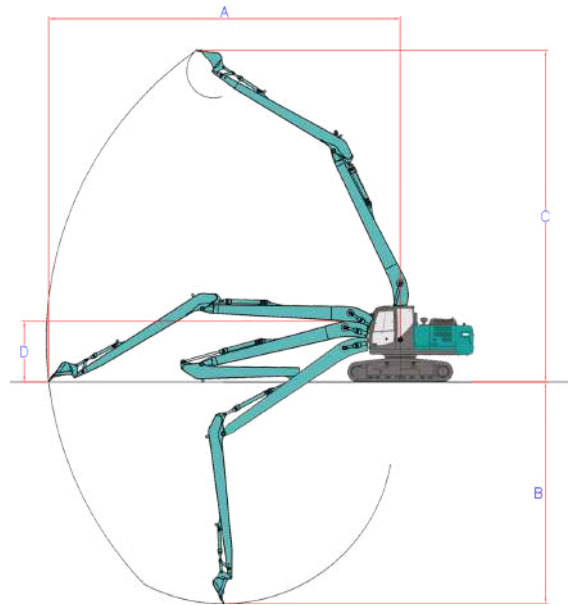
Yoke pin 1 piece

EM bushings

GP bucket comes with teeth 1 unit

Hydraulic bucket cylinder seal kit 1 set

Operating Range



Excavator Model	Length	Boom Length	Arm Length	A Max Digging Reach	B Max Digging Depth	C Max Digging Height	D Max Parking Height	Bucket Capacity	Counter-weight
	m	mm	mm	mm	mm	mm	mm	m ³	Kg
SK75SR-7	9.0	5350	3323	9090	5930	9360	2155	0.18	-
SK130LC-11	12.5	7195	5025	12670	9340	11070	2260	0.4	-
SK140SRL-7	12.5	7195	5025	12670	9340	11070	2260	0.4	-
SK210LC-11E	15.0	8552	6150	15125	10725	14155	2595	0.5	-
SK210LC-11E	16.0	9095	6700	16300	11875	14245	26446	0.5	1200
SK300LC-11E	18.5	10449	7600	18620	13475	17715	3025	0.6	1200
SK300LC-11E	20.0	11290	8525	20155	14450	18625	3100	0.5	1500
SK350LC-11E	20.0	11398	8465	20375	15750	15890	3075	0.8	2700
SK350LC-11E	21.0	11672	8940	21000	16060	18475	3360	0.7	2700
SK500LC-11	22.0	12494	9367	22485	16720	18535	3656	0.9	-
SK500LC-11	23.0	12760	10066	23170	17220	19350	3555	0.8	-
SK500LC-11	24.0	13255	10465	24035	17685	20420	3515	0.7	-
SK520LC-11E	22.0	12494	9367	22485	16720	18535	3656	0.9	-
SK850LC-10E	25.0	13973	10586	25230	17460	20090	3780	1.4	6000

Long Reach Arm Conversions

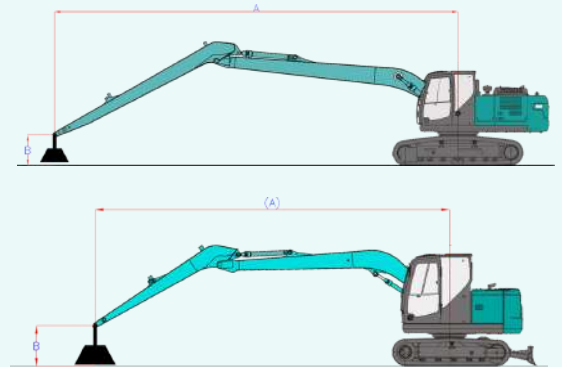
Lifting Capacities



Rating over front



Rating over side or 360 degrees



A: Reach from swing centerline to arm top

B: Arm top height above/below ground

MODEL: SK75SR-7.9M LRA 0.18m ³ bucket																				
Boom: 5350 mm ARM: 3323 mm																				
Reach (A)		1.0 m		2.0 m		3.0 m		4.0 m		5.0 m		6.0 m		7.0 m		8.0 m		Maximum Lifting Reach		
Height (B)	Rating over front		Rating over side or 360 degrees		Rating over front		Rating over side or 360 degrees		Rating over front		Rating over side or 360 degrees		Rating over front		Rating over side or 360 degrees		Rating over front		Rating over side or 360 degrees	
	9.0 m	kg					750	750											690	690
8.0 m	kg							960	960									560	560	4.92 m
7.0 m	kg							1140	1140	980	980	550	550					500	500	6.06 m
6.0 m	kg							1200	1200	1150	1150	950	950					470	470	6.88 m
5.0 m	kg							1280	1280	1270	1270	1150	1150	800	800			460	460	7.47 m
4.0 m	kg					1430	1430	1500	1500	1470	1470	1340	1290	1050	1050			460	460	7.90 m
3.0 m	kg			3230	3230	2490	2490	2130	2040	1870	1570	1530	1250	1260	1020	650	650	460	460	8.18 m
2.0 m	kg			2080	2080	3130	2570	2330	1910	1820	1490	1480	1200	1230	990	820	820	480	480	8.33 m
1.0 m	kg					2900	2340	2200	1780	1740	1410	1430	1150	1200	960	910	810	500	500	8.36 m
Ground	kg			1190	1190	2630	2210	2100	1680	1680	1340	1390	1110	1170	930	890	790	540	540	8.27 m
-1.0 m	kg			1570	1570	2650	2160	2040	1620	1630	1300	1350	1070	1150	910	680	680	590	590	8.06 m
-2.0 m	kg	1610	1610	362	2000	2700	2140	2020	1600	1610		1340	1060	1140	900			670	670	7.71 m
-3.0 m	kg			2480	2480	2430	2160	2020	1600	1610	1270	1330	1050	1060	900			790	790	7.20 m
-4.0 m	kg			1900	1900	1800	1800	1570	1570	1310	1280	1020	1020					840	840	6.51 m
-5.0 m	kg							930	930	740	740							570	570	5.55 m

MODEL: SK130LC-11 12.5m LRA 0.4m ³ Bucket														
Boom: 7195 mm Arm: 5025 mm														
Reach (A)		2.0 m		4.0 m		6.0 m		8.0 m		10.0 m		Maximum Lifting Reach		
Height (B)	Rating over front		Rating over side or 360 degrees		Rating over front		Rating over side or 360 degrees		Rating over front		Rating over side or 360 degrees		Rating over front	
	10.0 m	kg					2150	2150					1260	1260
8.0 m	kg					2570	2410	2100	1570			1130	1130	9.16 m
6.0 m	kg					2900	2320	2100	1540	1510	1060	1090	1000	10.32 m
4.0 m	kg			4590	3530	2890	2140	2010	1450	1480	1030	1110	870	11.00 m
2.0 m	kg			4050	2930	2650	1900	1890	1330	1420	970	1170	800	11.28 m
Ground	kg			3670	2540	2450	1700	1790	1220	1370	920	1180	780	11.21 m
-2.0 m	kg	2980	2980	3560	2440	2340	1590	1720	1160	1330	880	1230	810	10.76 m
-4.0 m	kg	4440	4440	3590	2460	2320	1570	1700	1140			1360	900	9.90 m
-6.0 m	kg			3690	2560	2370	1620	1750	1180			1650	1120	8.48 m

Long Reach Arm Conversions

MODEL: SK140SRL-7 12.5m LRA 0.4m ³ Bucket														
Boom: 7195 mm Arm: 5025 mm														
Height (B)	Reach (A)	2.0 m		4.0 m		6.0 m		8.0 m		10.0 m		Maximum Lifting Reach		Reach
10.0 m	kg					2150	2150					1260	1260	7.28 m
8.0 m	kg					2570	2410	2100	1570			1130	1130	9.16 m
6.0 m	kg					2900	2320	2100	1540	1510	1060	1090	1000	10.32 m
4.0 m	kg			4590	3530	2890	2140	2010	1450	1480	1030	1110	870	11.00 m
2.0 m	kg			4050	2930	2650	1900	1890	1330	1420	970	1170	800	11.28 m
Ground	kg			3670	2540	2450	1700	1790	1220	1370	920	1180	780	11.21 m
-2.0 m	kg	2980	2980	3560	2440	2340	1590	1720	1160	1330	880	1230	810	10.76 m
-4.0 m	kg	4440	4440	3590	2460	2320	1570	1700	1140			1360	900	9.90 m
-6.0 m	kg			3690	2560	2370	1620	1750	1180			1650	1120	8.48 m

MODEL: SK210LC-11E 15m LRA 0.5m ³ Bucket																		
Boom: 8552 mm Arm: 6150 mm																		
Height (B)	Reach (A)	2.0 m		4.0 m		6.0 m		8.0 m		10.0 m		12.0 m		14.0 m		Maximum Lifting Reach		Reach
12.0 m	kg									1450	1450					1310	1310	9.83 m
10.0 m	kg									2500	2500					1290	1290	11.54 m
8.0 m	kg									2870	2870	2170	2170			1260	1260	12.72 m
6.0 m	kg									3070	2880	2780	2230			1260	1260	13.52 m
4.0 m	kg							3830	3600	3370	2730	2920	2150	1630	1630	1280	1280	13.98 m
2.0 m	kg			8890	6600	5790	4490	4430	3310	3490	2570	2820	2060	1980	1680	1310	1310	14.16 m
Ground	kg			5690	5690	5580	4050	4210	3060	3340	2420	2730	1970	1980	1640	1350	1350	14.06 m
-2.0 m	kg	3760	3760	5930	5590	5330	3810	4030	2890	3220	2310	2660	1900			1480	1480	13.67 m
-4.0 m	kg	5070	5070	7080	5580	5240	3720	3950	2800	3160	2240	2630	1870			1690	1690	12.97 m
-6.0 m	kg	6480	6480	7970	5680	5260	3730	3940	2790	3150	2240	2630	1890			1860	1860	11.90 m
-8.0 m	kg			8140	5870	5360	3840	4000	2860	3220	2310					2180	2180	10.35 m
-10.0 m	kg							3230	3030							2910	2910	8.06 m

MODEL: SK210LC-11E 15m LRA 0.5m ³ Bucket																				
Boom: 9095 mm Arm: 6700 mm																				
Height (B)	Reach (A)	2.0 m		4.0 m		6.0 m		8.0 m		10.0 m		12.0 m		14.0 m		Maximum Lifting Reach		Reach		
12.0 m	kg															1140	1140	11.99 m		
10.0 m	kg											2040	2040			1090	1090	13.46 m		
8.0 m	kg											2440	2040	1540	1540	1070	1070	14.51 m		
6.0 m	kg											2740	2740	2570	2280	2100	1740	1080	1080	15.22 m
4.0 m	kg							3500	3500	3040	2670	2750	2200	2330	1670	1100	1100	15.65 m		
2.0 m	kg			5140	6290	5420	4330	4090	3200	3390	2470	2740	2090	2260	1600	1150	1150	15.81 m		
Ground	kg			4560	4560	5360	3820	4050	2900	3210	2290	2630	1970	2190	1530	1220	1220	15.72 m		
-2.0 m	kg	3150	3150	4800	4800	5080	3540	3850	2690	3070	2150	2530	1860	1140	1480	1330	1330	15.36 m		
-4.0 m	kg	4200	4200	5690	5150	4970	3430	3740	2580	2990	2060	2480	1760	2110	1450	1500	1380	14.73 m		
-6.0 m	kg	5310	5310	6890	5240	4960	3430	3710	2550	2960	2040	2460	1710			1770	1490	13.78 m		
-8.0 m	kg			7710	5410	5040	3510	3750	2590	2990	2070	2510	1690			2260	1690	12.43 m		
-10.0 m	kg			6550	5670	4990	3670	3860	2710	3010	2180					2760	2080	10.54 m		

Long Reach Arm Conversions

MODEL: SK300LC-11E 18.5m LRA 0.6m ³ Bucket																				
Boom: 10449 mm Arm: 7600 mm																				
Reach (A)		2.0 m		4.0 m		6.0 m		8.0 m		10.0 m		12.0 m		14.0 m		16.0 m		Maximum Lifting Reach		
Height (B)																				
		kg	kg	kg	kg	kg	kg	kg	kg	kg	kg	kg	kg	kg	kg	kg	kg	kg	kg	kg
14.0 m	kg																	1126	1126	12.40 m
12.0 m	kg																	1046	1046	14.10 m
10.0 m	kg																	2156	2156	15.35 m
8.0 m	kg																	3246	3246	16.26 m
6.0 m	kg																	3706	3196	16.88 m
4.0 m	kg																	4026	3006	17.25 m
2.0 m	kg																	3276	2266	17.38 m
Ground	kg																	2736	1856	17.28 m
-2.0 m	kg	3156	3156															2666	1786	16.94 m
-4.0 m	kg	4276	4276	5556	5556													2076	1696	16.34 m
-6.0 m	kg	6666	6666	6796	6796	7216	4866	5346	3586	4236	2826	3496	2326	2976	1966			1586	1586	15.47 m
-8.0 m	kg			8266	7766	7316	4966	5386	3626	4256	2846	3516	2346	2686	2016			1946	1946	14.26 m
-10.0 m	kg			10026	8086	7506	5156	5516	3756	4356	2956	3626	2456					2626	2346	12.61 m
-12.0 m	kg					5836	5466	4636	3996	3516	3176							3306	3076	10.33 m

MODEL: SK300LC-11E 20m LRA 0.5m ³ Bucket																				
Boom: 11290 mm Arm: 8525 mm																				
Reach (A)		2.0 m		4.0 m		6.0 m		8.0 m		10.0 m		12.0 m		14.0 m		16.0 m		Maximum Lifting Reach		
Height (B)																				
		kg	kg	kg	kg	kg	kg	kg	kg	kg	kg	kg	kg	kg	kg	kg	kg	kg	kg	kg
14.0 m	kg																			12.40 m
12.0 m	kg																	1332	1332	14.10 m
10.0 m	kg																	2322	2322	15.35 m
8.0 m	kg																	3412	3412	16.26 m
6.0 m	kg																	3872	3362	16.88 m
4.0 m	kg																	4192	3172	17.25 m
2.0 m	kg																	3572	2562	17.38 m
Ground	kg																	2432	2902	17.28 m
-2.0 m	kg	3322	3322	4692	4692	7512	5172	5722	3962	4592	3182	3802	2632	3222	2212	2772	1892	1060	1060	16.94 m
-4.0 m	kg	4442	4442	5722	5722	7372	5032	5562	3802	4452	3052	3702	2532	3152	2152	2242	1862	1210	1210	16.34 m
-6.0 m	kg	6832	6832	6962	6962	7382	5032	5512	3752	4402	2992	3662	2492	3142	2132			2132	2132	15.47 m
-8.0 m	kg			8432	7932	7482	5132	5552	3792	4422	3012	3682	2512	2852	2182			2182	2182	14.26 m
-10.0 m	kg			10192	8252	7672	5322	5682	3922	4522	3122	3792	2622					2622	2622	12.61 m
-12.0 m	kg					6002	5632	4802	4162	3682	3342							3342	3342	10.33 m

MODEL: SK350LC-11E 20m LRA 0.8m ³ Bucket																						
Boom: 11398 mm Arm: 8465 mm																						
Reach (A)		2.0 m		4.0 m		6.0 m		8.0 m		10.0 m		12.0 m		14.0 m		16.0 m		18.0 m		Maximum Lifting Reach		
Height (B)																						
		kg	kg	kg	kg	kg	kg	kg	kg	kg	kg	kg	kg	kg	kg	kg	kg	kg	kg	kg	kg	
14.0 m	kg																			1538	1538	14.4 m
12.0 m	kg																			1468	1468	15.87 m
10.0 m	kg																			1428	1428	16.97 m
8.0 m	kg																			3228	3118	17.78 m
6.0 m	kg																			3518	3518	18.33 m
4.0 m	kg																			4128	4128	18.65 m
2.0 m	kg																			3548	3548	18.76 m
Ground	kg																			3338	3028	18.65 m
-2.0 m	kg	4008	4008	5718	5718	10088	7078	7668	5408	6146	4338	5078	3568	4288	2998	3668	2538	2398	2188	1728	1728	18.32 m
-4.0 m	kg	5258	1217	6788	6788	9838	6828	7408	5148	5926	4126	4918	3408	4168	2878	3598	2468	2788	2248	1608	1608	17.75 m
-6.0 m	kg	6538	6538	8108	8108	9788	6778	7308	5048	5818	4018	4828	3318	4108	2788	3578	2448	2138	2138	1898	1898	16.94 m
-8.0 m	kg	7908	7908	9658	9658	9868	6858	7318	5058	5808	3998	4818	3308	4118	2828			2508	2508	1728	1728	15.83 m
-10.0 m	kg	9388	9388	11468	11468	9678	7058	7428	5168	5888	4076	4888	3378	4028	2918			3158	2858	1438	1438	14.35 m
-12.0 m	kg	10988	10988	10988	10988	8178	7368	6448	5398	5188	4268	4088	3568					3648	3476	1238	1238	12.38 m
-14.0 m	kg					5798	5798	4588	4588									3648	3648			9.61 m

Long Reach Arm Conversions

MODEL: SK350LC-11E 21m LRA 0.7m³ Bucket																						
Boom: 11672 mm Arm: 8940 mm																						
Reach (A)	2.0 m	4.0 m	6.0 m	8.0 m	10.0 m	12.0 m	14.0 m	16.0 m	18.0 m	Maximum Lifting Reach												
Height (B)	Reach																					
14.0 m	kg																					
12.0 m	kg																					
10.0 m	kg																					
8.0 m	kg																					
6.0 m	kg																					
4.0 m	kg																					
2.0 m	kg																					
Ground	kg																					
-2.0 m	kg	4268	4268	5978	5978	10348	7338	7928	5668	6408	4598	5338	3828	4548	3258	3928	2798	2658	2448	1468	1468	19.27
-4.0 m	kg	5518	1477	7048	7048	10098	7088	7668	5408	6188	4388	5178	3668	4428	3138	3858	2728					19.71
-6.0 m	kg	6798	6798	8368	8368	10048	7038	7568	5308	6078	4278	5088	3578	4368	3048	3838	2708					19.6
-8.0 m	kg	8168	8168	9918	9918	10128	7118	7578	5318	6068	4258	5078	3568	4378	3088						19.28	
-10.0 m	kg	9648	9648	11728	11728	9938	7318	7688	5428	6148	4338	5148	3638	4288	3178						19.6	
-12.0 m	kg	11248	11248	11248	11248	8438	7628	6708	5658	5448	4528	4348	3828								19.28	
-14.0 m	kg																					

MODEL: SK500LC-11 22m LRA 0.9m³ Bucket																									
Boom: 12494 mm Arm: 9367 mm																									
Reach (A)	2.0 m	4.0 m	6.0 m	8.0 m	10.0 m	12.0 m	14.0 m	16.0 m	18.0 m	20.0 m	Maximum Lifting Reach														
Height (B)	Reach																								
16.0 m	kg																								
14.0 m	kg																								
12.0 m	kg																								
10.0 m	kg																								
8.0 m	kg																								
6.0 m	kg																								
4.0 m	kg																								
2.0 m	kg																								
Ground	kg																								
-2.0 m	kg	3760	3760	5210	5210	9040	8040	9400	6190	7360	4980	6020	4090	5110	3410	4460	2870	3860	2430	2630	2080	1190	1190	20.97 m	
-4.0 m	kg	5050	5050	6370	6370	9480	7710	9020	5810	7220	4650	5980	3840	5050	3220	4340	2730	3770	2340	1700	1700	1290	1290	20.46 m	
-6.0 m	kg	6370	6370	7720	7720	10610	7640	8860	5650	7040	4470	5820	3680	4930	3100	4250	2650	3730	2300				1430	1430	19.73 m
-8.0 m	kg	7740	7740	85020	85020	12010	7730	8850	5640	6990	4420	5760	3620	4890	3050	4240	2630	2970	2330				1640	1640	18.75 m
-10.0 m	kg	9220	9220	10950	10950	11160	7950	8680	5750	7010	4480	5790	3660	4830	3100	3990	2700					1940	1940	17.49 m	
-12.0 m	kg																								
-14.0 m	kg																								

MODEL: SK500LC-11 23m LRA 0.8m³ Bucket																										
Boom: 12494 mm Arm: 9367 mm																										
Reach (A)	2.0 m	4.0 m	6.0 m	8.0 m	10.0 m	12.0 m	14.0 m	16.0 m	18.0 m	20.0 m	Maximum Lifting Reach															
Height (B)	Reach																									
16.0 m	kg																									
14.0 m	kg																									
12.0 m	kg																									
10.0 m	kg																									
8.0 m	kg																									
6.0 m	kg																									
4.0 m	kg																									
2.0 m	kg																									
Ground	kg																									
-2.0 m	kg	3960	3960	5410	5410	9240	8240	9600	6390	7560	5180	6220	4290	5310	3610	4660	3070	4060	2630	2830	2280	1390	1390	22.18		
-4.0 m	kg	5250	5250	6570	6570	9680	7910	9220	6010	7420	4850	6180	4040	5250	3420	4540	2930	3970	2540	1900	1900	1490	1490	21.67		
-6.0 m	kg	6570	6570	7920	7920	10810	7840	9060	5850	7240	4670	6020	3880	5130	3300	4450	2850	3930	2500					1930	1930	22.48
-8.0 m	kg	7940	7940	85220	85220	12210	7930	9050	5840	7190	4620	5960	3820	5090	3250	4440	2830	3170	2530					1930	1930	22.18
-10.0 m	kg	9420	9420	11150	11150	11360	8150	8880	5950	7210	4680	5990	3860	5030	3300	4190	2900					1930	1930	22.18		
-12.0 m	kg																									
-14.0 m	kg																									

Long Reach Arm Conversions

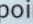

MODEL: SK500LC-11 24m LRA 0.7m³ Bucket																							
Boom: 13255 mm Arm: 10465 mm																							
Reach (A)		2.0 m		4.0 m		6.0 m		8.0 m		10.0 m		12.0 m		14.0 m		16.0 m		18.0 m		20.0 m		Maximum Lifting Reach	
Height (B)	kg																					Reach	
		16.0 m	kg																2780	2780			
14.0 m	kg																3560	3560	2060	2060			
12.0 m	kg																3620	3620	3010	3010			
10.0 m	kg																3730	3730	3550	3230	1570	1570	
8.0 m	kg																4210	4210	3890	3820	3640	3120	
6.0 m	kg																5040	5040	4480	4410	4070	3610	
4.0 m	kg																5460	5460	4760	4090	4260	3390	
2.0 m	kg																5520	5520	11340	10440	8190	7920	
Ground	kg																4570	4570	10420	8940	9050	6960	
-2.0 m	kg	3880	3880	5330	5330	9160	8160	9520	6310	7480	5100	6140	4210	5230	3530	4580	2990	3980	2550	2750	2200	1310	
-4.0 m	kg	5170	5170	6490	6490	9600	7830	9140	5930	7340	4770	6100	3960	5170	3340	4460	2850	3890	2460	1820	1820	1410	
-6.0 m	kg	6490	6490	7840	7840	10730	7760	8980	5770	7160	4590	5940	3800	5050	3220	4370	2770	3850	2420				
-8.0 m	kg	7860	7860	85140	85140	12130	7850	8970	5760	7110	4540	5880	3740	5010	3170	4360	2750	3090	2450				
-10.0 m	kg	9340	9340	11070	11070	11280	8070	8800	5870	7130	4600	5910	3780	4950	3220	4110	2820						
-12.0 m	kg			12490	12490	9720	8420	7120	6100	6340	4770	5240	3920	4280	3360								
-14.0 m	kg					7480	7480	6130	6130	5030	5030	4010	4010										

MODEL: SK520LC-11 22M LRA 0.9m³ bucket																							
Boom: 12494 mm Arm: 9367 mm																							
Reach (A)		2.0 m		4.0 m		6.0 m		8.0 m		10.0 m		12.0 m		14.0 m		16.0 m		18.0 m		20.0 m		Maximum Lifting Reach	
Height (B)	kg																					Reach	
		16.0 m	kg																				
14.0 m	kg																2660	2660					1100
12.0 m	kg																3440	3440	1940	1940			1050
10.0 m	kg																3500	3500	2890	2890			1020
8.0 m	kg																3610	3610	3430	3110	1450	1450	1010
6.0 m	kg																4090	4090	3770	3700	3520	3000	2210
4.0 m	kg																4920	4920	4360	4290	3950	3490	2670
2.0 m	kg																5400	5400	11220	10320	8070	7800	6380
Ground	kg																4450	4450	10300	8820	8930	6840	6940
-2.0 m	kg	3760	3760	5210	5210	9040	8040	9400	6190	7360	4980	6020	4090	5110	3410	4460	2870	3860	2430	2630	2080	1190	
-4.0 m	kg	5050	5050	6370	6370	9480	7710	9020	5810	7220	4650	5980	3840	5050	3220	4340	2730	3770	2340	1700	1700	1290	
-6.0 m	kg	6370	6370	7720	7720	10610	7640	8860	5650	7040	4470	5820	3680	4930	3100	4250	2650	3730	2300			1430	
-8.0 m	kg	7740	7740	85020	85020	12010	7730	8850	5640	6990	4420	5760	3620	4890	3050	4240	2630	2970	2330			1640	
-10.0 m	kg	9220	9220	10950	10950	11160	7950	8680	5750	7010	4480	5790	3660	4830	3100	3990	2700					1940	
-12.0 m	kg			12820	12820	9600	8300	7000	5980	6220	4650	5120	3800	4160	3240							2450	
-14.0 m	kg					7360	7360	6010	6010	4910	4910	3890	3890									3040	

MODEL: SK850LC-10E 25M LRA 1.4m³ bucket																									
Boom: 13970 mm Arm: 10580 mm																									
Reach (A)		2.0 m		4.0 m		6.0 m		8.0 m		10.0 m		12.0 m		14.0 m		16.0 m		18.0 m		20.0 m		22.0 m		Maximum Lifting Reach	
Height (B)	kg																						Reach		
		18.0 m	kg																						2468
16.0 m	kg																						2348		
14.0 m	kg																						2268		
12.0 m	kg																						2218		
10.0 m	kg																						2208		
8.0 m	kg																						2208		
6.0 m	kg																						2238		
4.0 m	kg																						2288		
2.0 m	kg																						2288		
Ground	kg																						2468		
-2.0 m	kg	5888	5888	7168	7168	10888	10888	18618	15218	16998	12368	14208	10348	12118	8808	10478	7588	9168	6598	8098	5788	5108			
-4.0 m	kg	7608	7608	8928	8928	12108	12108	18408	14698	16478	11848	13748	9888	11748	8438	10198	7298	8958	6388	7948	5638	4888			
-6.0 m	kg	9368	9368	10808	10808	13828	13828	19568	14498	16198	11568	13478	9618	11508	8198	10008	7108	8818	6248	7868	5548				
-8.0 m	kg	11208	11208	12818	12818	15908	15908	20308	14518	16118	11488	13358	9498	11398	8088	9918	7018	8768	6198	7388	5558				
-10.0 m	kg	13138	13138	15008	15008	18358	18358	18988	14708	15678	11568	13198	9528	11268	8098	9678	7048	8268	6248						
-12.0 m	kg			17428	17428	20488	20488	16778	15058	14058	11808	11918	9708	10158	8248	8598	7198	6848	6448						
-14.0 m	kg			19928	19928	16358	16358	13818	13818	11768	11768	10018	10018	8398	8398	6728	6728								
-16.0 m	kg							9818	9818	8518	8518	7108	7108	5428	5428										

Long Reach Arm Conversions

Notes

1. Do not lift or support any load exceeding the specified lift capacities at the designated lift point radius and height.
2. Lift capacities are based on the machine being positioned on level, firm, and uniform ground. Adjustments must be made for site-specific conditions such as soft or uneven terrain, sloped surfaces, lateral loads, abrupt load stops, hazardous environments, and operator proficiency.
3. All lift capacities comply with ISO 10567 standards and do not exceed 87% of the hydraulic lifting capacity or 75% of the tipping load.
4. Capacities marked with () are limited by stick hydraulic cylinder and capacities marked with () are limited by boom hydraulic cylinder.



Visit our website to find out more:

amphibiosexcavator.com

